



Harmonic filters



AFQm, Active multifunction filter

50/60 Hz - Harmonic filtering, phase balancing and power factor correction

NEW

Type	Code	System	Phase current	Peak current	Max. neutral current	Size (mm) width x height x depth	weight (kg)
Wall-mounted cabinet							
AFQm-3WF-030M-480	[C] R7MM0F.	3 wires, 230...480 V	30	60	-	430x530x178	21,00
AFQm-3WF-060M-480	[C] R7MM1F.	3 wires, 230...480 V	60	120	-	430x530x348	39,00
AFQm-3WF-100M-480	[C] R7MM2F.	3 wires, 230...480 V	100	200	-	437x670x300	56,00
AFQm-4WF-030M-400	[C] R7RM0F.	4 wires, 230...400 V	30	60	90	430x530x178	21,00
AFQm-4WF-060M-400	[C] R7RM1F.	4 wires, 230...400 V	60	120	180	430x530x348	39,00
AFQm-4WF-100M-400	[C] R7RM2F.	4 wires, 230...400 V	100	200	300	437x670x300	56,00
Floor-mounted cabinet							
AFQm-3WF-100C-480	[C] R7MF2F.	3 wires, 230...480 V	100	200	-	608x1890x812	190,00
AFQm-3WF-200C-480	[C] R7MF3F.	3 wires, 230...480 V	200	400	-	608x1890x812	245,00
AFQm-3WF-300C-480	[C] R7MF4F.	3 wires, 230...480 V	300	600	-	608x1890x812	300,00
AFQm-3WF-400C-480	[C] R7MF5F.	3 wires, 230...480 V	400	800	-	608x1890x812	355,00
AFQm-4WF-100C-400	[C] R7RF2F.	4 wires, 230...400 V	100	200	300	608x1890x812	190,00
AFQm-4WF-200C-400	[C] R7RF3F.	4 wires, 230...400 V	200	400	600	608x1890x812	245,00
AFQm-4WF-300C-400	[C] R7RF4F.	4 wires, 230...400 V	300	600	900	608x1890x812	300,00
AFQm-4WF-400C-400	[C] R7RF5F.	4 wires, 230...400 V	400	800	1200	608x1890x812	355,00
Rack module							
AFQm-3WF-100R-480	[C] R7MR2F.	3 wires, 230...480 V	100	-	-	482.5x266x714.5	55,00
AFQm-4WF-100R-400	[C] R7RR2F.	4 wires, 230...400 V	100	-	-	482.5x266x714.5	55,00

Please contact our technical department for networks with high THD(V) levels



LR, Filter reactors for power converters (network side)

Type	Code	In (A)	Motor P. (kW)	Motor P. (CV)	L(μH)	Losses	Size (mm) width x height x depth	weight (kg)
LR 04-003	[2] P70301.	2,5	0,75	1	14,8	6	120x125x60	1,80
LR 04-004	[2] P70302.	4	1,5	2	7,9	8	120x125x60	1,54
LR 04-006	[2] P70303.	5,5	2,2	3	5,9	10	120x125x60	1,60
LR 04-008	[2] P70304.	7,5	3	4	4,3	12	120x125x60	2,00
LR 04-010	[2] P70305.	10	4	5	3,2	15	120x125x70	2,30
LR 04-013	[2] P70306.	13	5,5	7	2,5	18	120x125x70	2,30
LR 04-017	[2] P70307.	17	7,5	10	1,85	25	150x150x75	2,60
LR 04-022	[2] P70308.	22	11	15	1,47	30	150x152x90	3,80
LR 04-033	[2] P70309.	32	15	20	0,98	45	150x152x90	4,30
LR 04-050	[2] P7030B.	47	22	30	0,67	64	180x197x110	9,10
LR 04-066	[2] P7030D.	64	30	41	0,49	88	180x197x120	11,00
LRB 04-080	[2] P7030E.	76	37	50	0,4	110	180x160x135	13,00
LRB 04-115	[2] P7030G.	110	55	75	0,28	145	237x195x131	21,00
LRB 04-185	[C] P7030J.	180	90	122	0,17	230	242x256x154	32,00
LRB 04-200	[C] P7030K.	200	110	150	0,15	245	245x256x154	36,00
LRB 04-300	[C] P7030M.	300	160	220	0,1	355	280x300x164	48,00



SINUS, Filter for PWM

Sinus filter without enclosure (IP00), 400 V

Type	Code	In (A)	Switching Frequency (kHz)	Size (mm) width x height x depth
SINUS-10A-400-IP00	[4] R7S002.	10	10	191x180x120
SINUS-25-40-00	[4] R7S004.	25	10	244x301x248
SINUS-80-40-00	[4] R7S006.	80	10	290x422x360
SINUS-155-40-00	[4] R7S008.	155	10	390x503x360
SINUS-270-40-00	[4] R7S00A.	270	2	415x557x360

LR, LRB

P 7 X X X X 0 0 X X X			
Code	Internal code	↑	Delivery time
Voltage drop	Standard (4 %)	0	-
	3 %	1	consult
	2 %	2	consult
Frequency	Estandard (50 Hz)	0	-
	60 Hz	1	consult
System	Standard (three-phase)	0	-
	Single-phase	1	consult

Delivery time: [*] immediate
[x] working weeks
[c] consult


LCL, Harmonic filters for power converters

Type	Code	Q (kvar)	Load current (A)	Frequency (Hz)	Size (mm) width x height x depth
400 V					
LC L35-9A-400	[4] R73105.	1,76	9	50	365x570x217
LC L35-12A-400	[4] R73106.	2,51	12	50	365x570x217
LC L35-16A-400	[4] R73107.	3,27	16	50	365x570x217
LC L35-22A-400	[4] R73108.	4,42	22	50	460x930x230
LC L35-32A-400	[4] R73109.	6,63	32	50	460x930x230
LC L35-40A-400	[4] R73110.	8,29	40	50	460x930x230
LC L35-47A-400	[4] R73111.	9,14	47	50	650x1060x420
LC L35-54A-400	[4] R73112.	10,8	54	50	650x1060x420
LC L35-64A-400	[4] R73113.	13,26	64	50	650x1060x420
LC L35-76A-400	[4] R73114.	14,92	76	50	650x1060x420
LC L35-90A-400	[4] R73115.	18,24	90	50	800x1900x650
LC L35-110A-400	[4] R73116.	23,21	110	50	800x1900x650
LC L35-150A-400	[4] R73117.	29,84	150	50	800x1900x650
LC L35-180A-400	[4] R73118.	36,48	180	50	800x1900x650
LC L35-220A-400	[4] R73119.	46,42	220	50	800x1900x650
LC L35-260A-400	[4] R73120.	53,06	260	50	800x1900x650
LC L35-320A-400	[4] R73121.	66,32	320	50	1100x1900x650
LC L35-400A-400	[4] R73122.	79,58	400	50	1100x1900x650
460 - 480 V					
LC L36-9A-480	[4] R732050070000	2,73	9	60	365x570x217
LC L36-16A-480	[4] R732070070000	4,55	16	60	365x570x217
LC L36-22A-480	[4] R732080070000	6,21	22	60	460x930x230
LC L36-32A-480	[4] R732090070000	7,59	32	60	460x930x230
LC L36-40A-480	[4] R732100070000	11,38	40	60	460x930x230
LC L36-47A-480	[4] R732110070000	15,18	47	60	650x1060x420
LC L36-54A-480	[4] R732120070000	15,18	54	60	650x1060x420
LC L36-64A-480	[4] R732130070000	18,97	64	60	650x1060x420
LC L36-76A-480	[4] R732140070000	22,77	76	60	650x1060x420
LC L36-90A-480	[4] R732150070000	26,56	90	60	800x1900x650
LC L36-110A-480	[4] R732160070000	30,36	110	60	800x1900x650
LC L36-150A-480	[4] R732170070000	45,53	150	60	800x1900x650
LC L36-180A-480	[4] R732180070000	53,12	180	60	800x1900x650
LC L36-220A-480	[4] R732190070000	60,71	220	60	800x1900x650
LC L36-260A-480	[4] R732200070000	68,3	260	60	800x1900x650
LC L36-320A-480	[4] R732210070000	91,07	320	60	1100x1900x650
LC L36-400A-480	[4] R732220070000	121,42	400	60	1100x1900x650

Please contact us for other current, frequency and/or voltage values Optional: Overcompensation kit

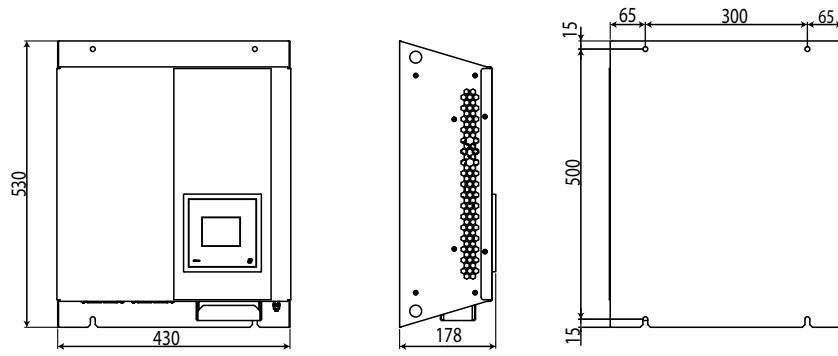

FB3, Third harmonic blocking filter for 50 Hz network

Type	Code	System	Max. neutral current	Frequency (Hz)	Size (mm) width x height x depth	weight (kg)
Single-phase						
FB3-5-06	[*] R78101.	Single-phase	6	50	204x310x233	8,00
Without box (IP 00)						
FB3T-5-06-00	[4] R78131.	Three-phase	6	50	300x200x200	-
FB3T-5-10-00	[4] R78132.	Three-phase	10	50	300x200x200	-
FB3T-5-16-00	[4] R78133.	Three-phase	16	50	300x200x200	-
FB3T-5-25-00	[4] R78134.	Three-phase	25	50	370x280x300	-
FB3T-5-32-00	[4] R78135.	Three-phase	32	50	370x280x300	-
FB3T-5-50-00	[4] R78136.	Three-phase	50	50	370x280x300	-
FB3T-5-63-00	[4] R78137.	Three-phase	63	50	370x420x370	-
FB3T-5-100-00	[4] R78138.	Three-phase	100	50	650x1060x420	-
With box (IP 21)						
FB3T-5-6-21	[C] R78121.	Three-phase	6	50	300x200x200	-
FB3T-5-10-21	[C] R78122.	Three-phase	10	50	300x200x200	-
FB3T-5-16-21	[C] R78123.	Three-phase	16	50	300x200x200	-
FB3T-5-25-21	[C] R78124.	Three-phase	25	50	300x200x200	-
FB3T-5-32-21	[C] R78125.	Three-phase	32	50	370x280x300	-
FB3T-5-50-21	[C] R78126.	Three-phase	50	50	370x280x300	-
FB3T-5-63-21	[C] R78127.	Three-phase	63	50	370x420x370	-
FB3T-5-100-21	[C] R78128.	Three-phase	100	50	650x1060x420	-

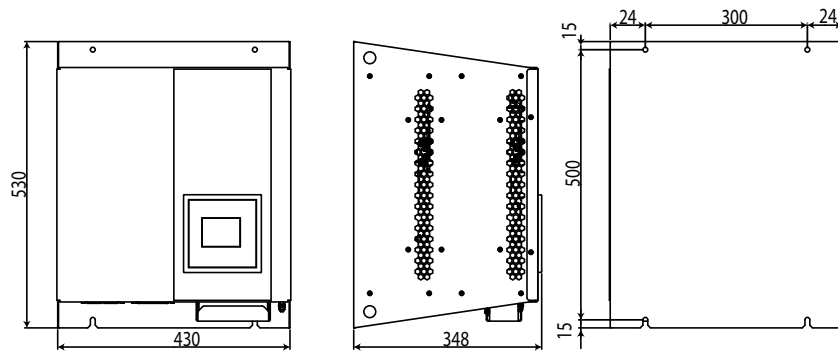
 Delivery time: [*] immediate
 [x] working weeks
 [c] consult

Dimensions

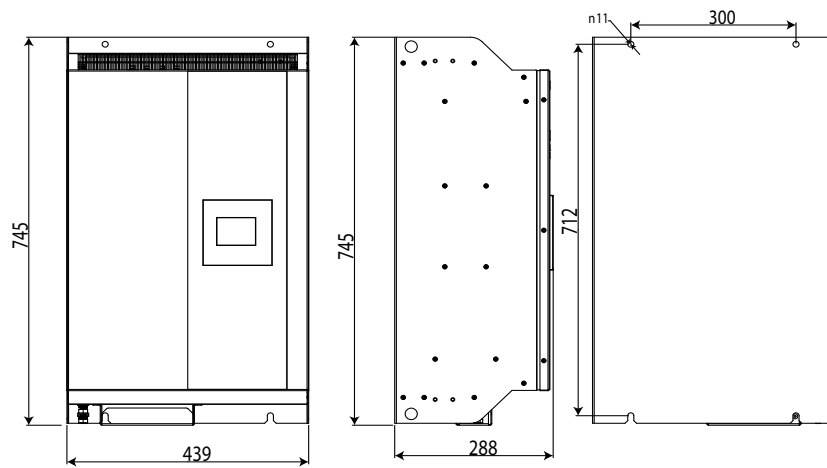
AFQm-30



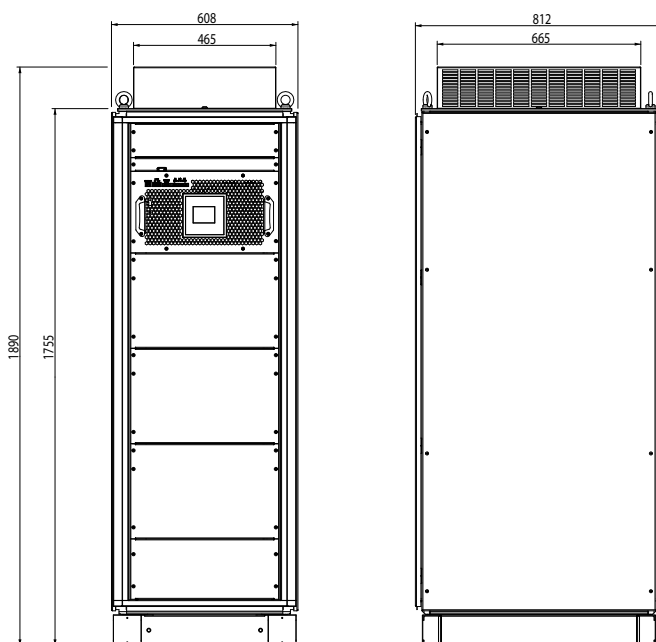
AFQm-60



AFQm-100M

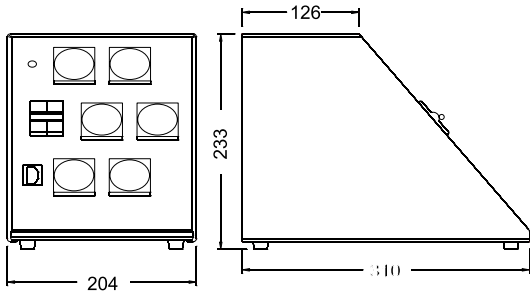


AFQm-100C

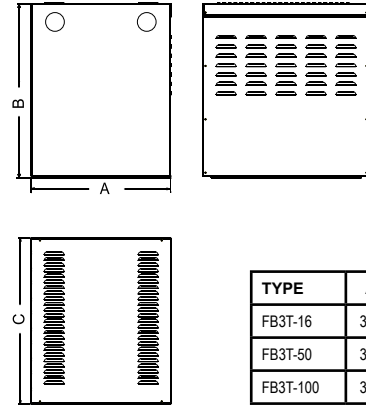


Dimensions

FB3

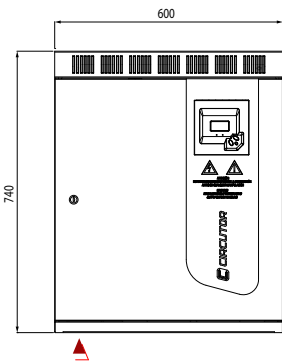


FB3T

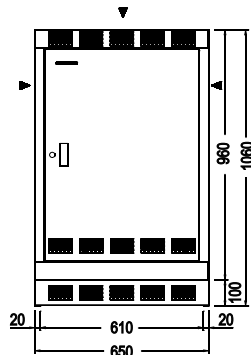


TYPE	A	B	C
FB3T-16	300	200	200
FB3T-50	370	280	300
FB3T-100	370	480	370

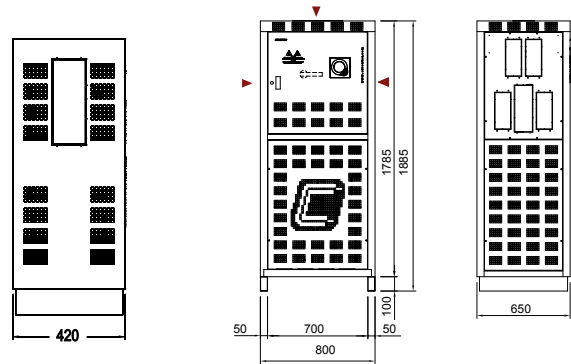
OPTIM5 P&P



FRF

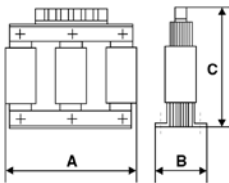


FR4



▲ Entrada cable

LR / LRB



Type	A mm	B mm	C mm	kg
LR 04-003	120	60	125	1,8
LR 04-004	120	60	125	1,8
LR 04-006	120	60	125	2
LR 04-008	120	60	125	2
LR 04-010	120	70	125	2,3
LR 04-013	120	70	125	2,3
LR 04-017	150	75	150	3,5
LR 04-022	150	90	152	4,6
LR 04-033	150	90	152	5
LR 04-041	180	100	193	7,5
LR 04-050	180	110	197	9
LR 04-058	180	110	197	9,5
LR 04-066	180	120	197	11

Type	A mm	B mm	C mm	kg
LRB 04-080	180	135	160	13
LRB 04-095	237	120	195	18
LRB 04-115	237	131	195	21
LRB 04-150	237	131	215	26
LRB 04-185	242	154	256	32
LRB 04-200	245	154	256	36
LRB 04-250	285	154	300	44
LRB 04-300	280	164	300	48